

Couplers

PCS DUAL DIRECTIONAL COUPLERS

- High Directivity for Precise Measurement Needs
- System Transparent - Low VSWR, Low Insertion Loss
- Both 7/16 DIN and Type N Connector Versions
- Extremely Low IM Design



DESCRIPTION

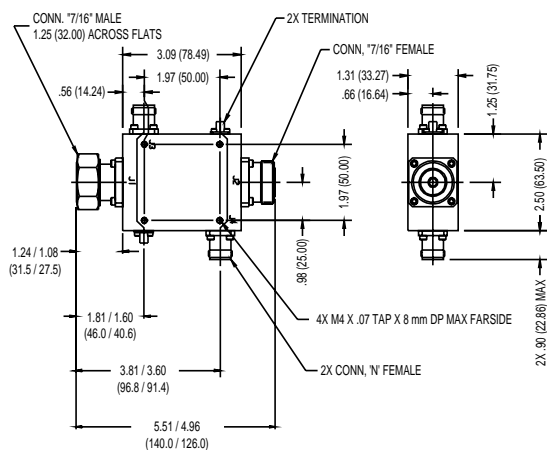
Narda's Dual High Power Directional couplers are specifically designed for the PCS band. Both models are for use in the transmit (Tx) antenna link and are designed

specifically to achieve high directivity, typically 30 dB, and offer high peak and average power performance while offering extremely low intermodulation products.

SPECIFICATIONS

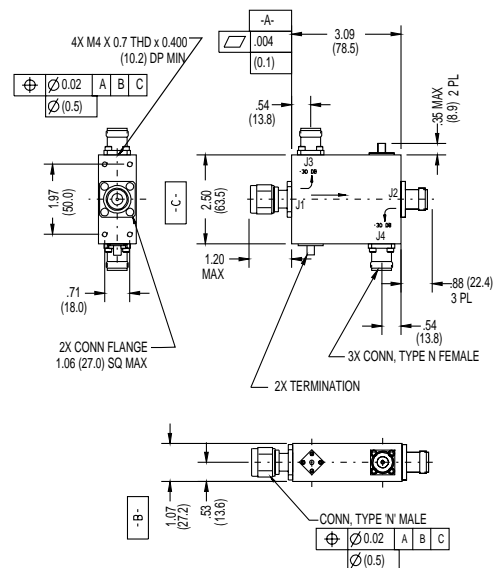
FREQ RANGE (MHz)	MODEL NO.	NOMINAL COUPLING (dB)	DIRECTIVITY dB (Min)	INSERTION LOSS dB (Max)	VSWR		FREQ. SENSITIVITY dB (Max)	POWER		CONNECTORS		WEIGHT Kg (Max)	APPLICATION
					PRIMARY LINE (Max)	SECONDARY LINE (Max)		AVERAGE (Max)	PEAK (Max)	MAIN LINE	BRANCH LINE		
1710-1990	7022B-30	30 ±1.0	30	0.2	1.10	1.20	±0.25	600W	6 kW	7/16	N	0.75	Tx
1710-1990	2022B-30	30 ±1.0	30	0.2	1.10:1	1.20:1	±0.25	600W	6 kW	N	N	0.75	Tx

OUTLINE DRAWINGS



NOTES:
 1. TOLERANCE: .XX +/- .04 (1.02)
 2. ALL DIMS IN () ARE IN MM AND FOR REFERENCE ONLY
 3. CONNECTORS MATE WITHOUT INTERFERENCE PER MIL-C-39012

7022B-30



NOTES:
 1. DIMENSIONS IN (MILLIMETERS) ARE FOR REF. ONLY.
 2. CONNECTORS MATE WITHOUT INTERFERENCE PER MIL-C-39012.
 3. TOLERANCE: .XX +/- 0.04

2022B-30